

TOSHIBA CMOS DIGITAL INTEGRATED CIRCUIT SILICON MONOLITHIC

**TC74AC125P, TC74AC125F, TC74AC125FN, TC74AC125FT**  
**TC74AC126P, TC74AC126F, TC74AC126FN**

**TC74AC125P/F/FN/FT QUAD BUS BUFFER**  
**TC74AC126P/F/FN QUAD BUS BUFFER**

(Note) The JEDEC SOP (FN) is not available in Japan.

The TC74AC125/126 are advanced high speed CMOS QUAD BUS BUFFERs fabricated with silicon gate and double-layer metal wiring C<sup>2</sup>MOS technology.

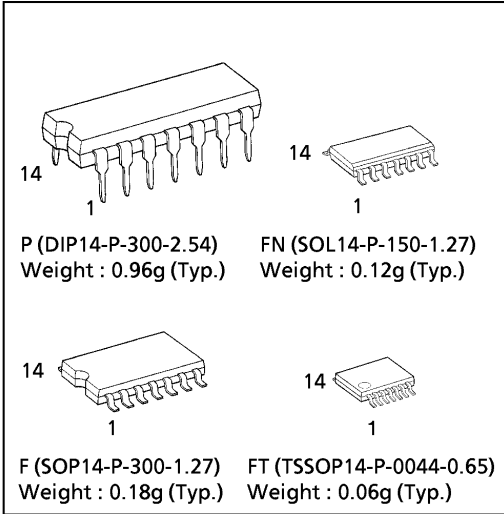
They achieve the high speed operation similar to equivalent Bipolar Schottky TTL while maintaining the CMOS low power dissipation.

The TC74AC125 requires the 3-state control input  $\bar{G}$  to be set high to place the output into the high impedance state, whereas the TC74AC126 requires the control input to be set low to place the output into high impedance.

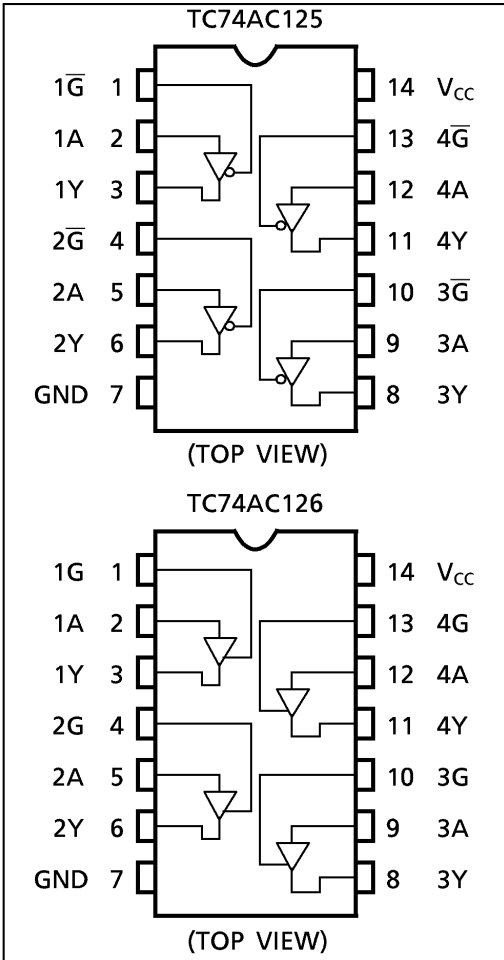
All inputs are equipped with protection circuits against static discharge or transient excess voltage.

**FEATURES :**

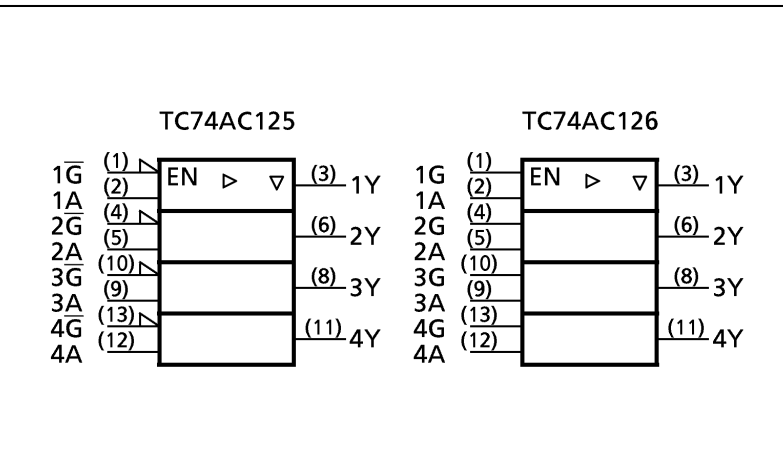
- High Speed..... $t_{pd} = 4.0ns$ (typ.) at  $V_{CC} = 5V$
- Low Power Dissipation..... $I_{CC} = 8\mu A$ (Max.) at  $T_a = 25^\circ C$
- High Noise Immunity..... $V_{NIH} = V_{NIL} = 28\% V_{CC}$  (Min.)
- Symmetrical Output Impedance..... $|I_{OH}| = I_{OL} = 24mA$ (Min.)  
 Capability of driving  $50\Omega$  transmission lines.
- Balanced Propagation Delays..... $t_{pLH} \approx t_{pHL}$
- Wide Operating Voltage Range..... $V_{CC} (opr) = 2V \sim 5.5V$
- Pin and Function Compatible with 74F125/126



**PIN ASSIGNMENT**



**IEC LOGIC SYMBOL**



961001EBA2

● TOSHIBA is continually working to improve the quality and the reliability of its products. Nevertheless, semiconductor devices in general can malfunction or fail due to their inherent electrical sensitivity and vulnerability to physical stress. It is the responsibility of the buyer, when utilizing TOSHIBA products, to observe standards of safety, and to avoid situations in which a malfunction or failure of a TOSHIBA product could cause loss of human life, bodily injury or damage to property. In developing your designs, please ensure that TOSHIBA products are used within specified operating ranges as set forth in the most recent products specifications. Also, please keep in mind the precautions and conditions set forth in the TOSHIBA Semiconductor Reliability Handbook.

**TRUTH TABLE**

<p><b>TC74AC125</b></p> <table border="1" style="margin: auto; border-collapse: collapse;"> <thead> <tr> <th colspan="2">INPUTS</th> <th>OUTPUTS</th> </tr> </thead> <tbody> <tr> <td><math>\bar{G}</math></td> <td>A</td> <td>Y</td> </tr> <tr> <td>H</td> <td>X</td> <td>Z</td> </tr> <tr> <td>L</td> <td>L</td> <td>L</td> </tr> <tr> <td>L</td> <td>H</td> <td>H</td> </tr> </tbody> </table> <p style="text-align: center;">X: Don't Care Z: High Impedance</p>	INPUTS		OUTPUTS	$\bar{G}$	A	Y	H	X	Z	L	L	L	L	H	H	<p><b>TC74AC126</b></p> <table border="1" style="margin: auto; border-collapse: collapse;"> <thead> <tr> <th>INPUTS</th> <th colspan="2">OUTPUTS</th> </tr> </thead> <tbody> <tr> <td>G</td> <td>A</td> <td>Y</td> </tr> <tr> <td>L</td> <td>X</td> <td>Z</td> </tr> <tr> <td>H</td> <td>L</td> <td>L</td> </tr> <tr> <td>H</td> <td>H</td> <td>H</td> </tr> </tbody> </table> <p style="text-align: center;">X: Don't Care Z: High Impedance</p>	INPUTS	OUTPUTS		G	A	Y	L	X	Z	H	L	L	H	H	H
INPUTS		OUTPUTS																													
$\bar{G}$	A	Y																													
H	X	Z																													
L	L	L																													
L	H	H																													
INPUTS	OUTPUTS																														
G	A	Y																													
L	X	Z																													
H	L	L																													
H	H	H																													

**ABSOLUTE MAXIMUM RATINGS**

PARAMETER	SYMBOL	VALUE	UNIT
Supply Voltage Range	$V_{CC}$	-0.5~7.0	V
DC Input Voltage	$V_{IN}$	-0.5~ $V_{CC} + 0.5$	V
DC Output Voltage	$V_{OUT}$	-0.5~ $V_{CC} + 0.5$	V
Input Diode Current	$I_{IK}$	± 20	mA
Output Diode Current	$I_{OK}$	± 50	mA
DC Output Current	$I_{OUT}$	± 50	mA
DC $V_{CC}$ /Ground Current	$I_{CC}$	± 100	mA
Power Dissipation	$P_D$	500 (DIP)* / 180 (SOP/TSSOP)	mW
Storage Temperature	$T_{stg}$	-65~150	°C

\*500mW in the range of  $T_a = -40^{\circ}C \sim 65^{\circ}C$ . From  $T_a = 65^{\circ}C$  to  $85^{\circ}C$  a derating factor of  $-10mW/^{\circ}C$  should be applied up to 300mW.

**RECOMMENDED OPERATING CONDITIONS**

PARAMETER	SYMBOL	VALUE	UNIT
Supply Voltage	$V_{CC}$	2.0~5.5	V
Input Voltage	$V_{IN}$	0~ $V_{CC}$	V
Output Voltage	$V_{OUT}$	0~ $V_{CC}$	V
Operating Temperature	$T_{opr}$	-40~85	°C
Input Rise and Fall Time	dt / dV	0~ 100 ( $V_{CC} = 3.3 \pm 0.3V$ ) 0~ 20 ( $V_{CC} = 5 \pm 0.5V$ )	ns / V

961001EBA2'

- The products described in this document are subject to foreign exchange and foreign trade control laws.
- The information contained herein is presented only as a guide for the applications of our products. No responsibility is assumed by TOSHIBA CORPORATION for any infringements of intellectual property or other rights of the third parties which may result from its use. No license is granted by implication or otherwise under any intellectual property or other rights of TOSHIBA CORPORATION or others.
- The information contained herein is subject to change without notice.

**DC ELECTRICAL CHARACTERISTICS**

PARAMETER	SYMBOL	TEST CONDITION	V <sub>CC</sub> (V)	Ta = 25°C			Ta = -40~85°C		UNIT	
				MIN.	TYP.	MAX.	MIN.	MAX.		
High - Level Input Voltage	V <sub>IH</sub>		2.0 3.0 5.5	1.50 2.10 3.85	— — —	— — —	1.50 2.10 3.85	— — —	V	
Low - Level Input Voltage	V <sub>IL</sub>		2.0 3.0 5.5	— — —	— — —	0.50 0.90 1.65	— — —	0.50 0.90 1.65	V	
High - Level Output Voltage	V <sub>OH</sub>	V <sub>IH</sub> or V <sub>IL</sub>	I <sub>OH</sub> = -50μA	2.0	1.9	2.0	—	1.9	—	V
				3.0	2.9	3.0	—	2.9	—	
				4.5	4.4	4.5	—	4.4	—	
			I <sub>OH</sub> = -4mA I <sub>OH</sub> = -24mA I <sub>OH</sub> = -75mA*	3.0	2.58	—	—	2.48	—	
				4.5	3.94	—	—	3.80	—	
				5.5	—	—	—	3.85	—	
Low - Level Output Voltage	V <sub>OL</sub>	V <sub>IH</sub> or V <sub>IL</sub>	I <sub>OL</sub> = 50μA	2.0	—	0.0	0.1	—	0.1	V
				3.0	—	0.0	0.1	—	0.1	
				4.5	—	0.0	0.1	—	0.1	
			I <sub>OL</sub> = 12mA I <sub>OL</sub> = 24mA I <sub>OL</sub> = 75mA*	3.0	—	—	0.36	—	0.44	
				4.5	—	—	0.36	—	0.44	
				5.5	—	—	—	—	1.65	
3 - State Output Off - State Current	I <sub>OZ</sub>	V <sub>IN</sub> = V <sub>IH</sub> or V <sub>IL</sub> V <sub>OUT</sub> = V <sub>CC</sub> or GND	5.5	—	—	±0.5	—	±5.0	μA	
Input Leakage Current	I <sub>IN</sub>	V <sub>IN</sub> = V <sub>CC</sub> or GND	5.5	—	—	±0.1	—	±1.0		
Quiescent Supply Current	I <sub>CC</sub>	V <sub>IN</sub> = V <sub>CC</sub> or GND	5.5	—	—	8.0	—	80.0		

\* : This spec indicates the capability of driving 50Ω transmission lines.  
One output should be tested at a time for a 10ms maximum duration.

**AC ELECTRICAL CHARACTERISTICS ( C<sub>L</sub> = 50pF, R<sub>L</sub> = 500Ω, Input t<sub>r</sub> = t<sub>f</sub> = 3ns )**

PARAMETER	SYMBOL	TEST CONDITION	V <sub>CC</sub> (V)	Ta = 25°C			Ta = -40~85°C		UNIT
				MIN.	TYP.	MAX.	MIN.	MAX.	
Propagation Delay Time	t <sub>pLH</sub> t <sub>pHL</sub>		3.3 ± 0.3	—	6.4	10.5	1.0	12.0	
			5.0 ± 0.5	—	4.7	7.0	1.0	8.0	
Output Enable Time	t <sub>pZL</sub> t <sub>pZH</sub>		3.3 ± 0.3	—	7.1	12.3	1.0	14.0	ns
			5.0 ± 0.5	—	5.0	7.9	1.0	9.0	
Output Disable Time	t <sub>pLZ</sub> t <sub>pHZ</sub>		3.3 ± 0.3	—	5.1	8.8	1.0	10.0	
			5.0 ± 0.5	—	4.6	6.6	1.0	7.5	
Input Capacitance	C <sub>IN</sub>		—	5	10	—	10	pF	
Output Capacitance	C <sub>OUT</sub>		—	10	—	—	—		
Power Dissipation Capacitance	C <sub>PD</sub> (1)		—	24	—	—	—		

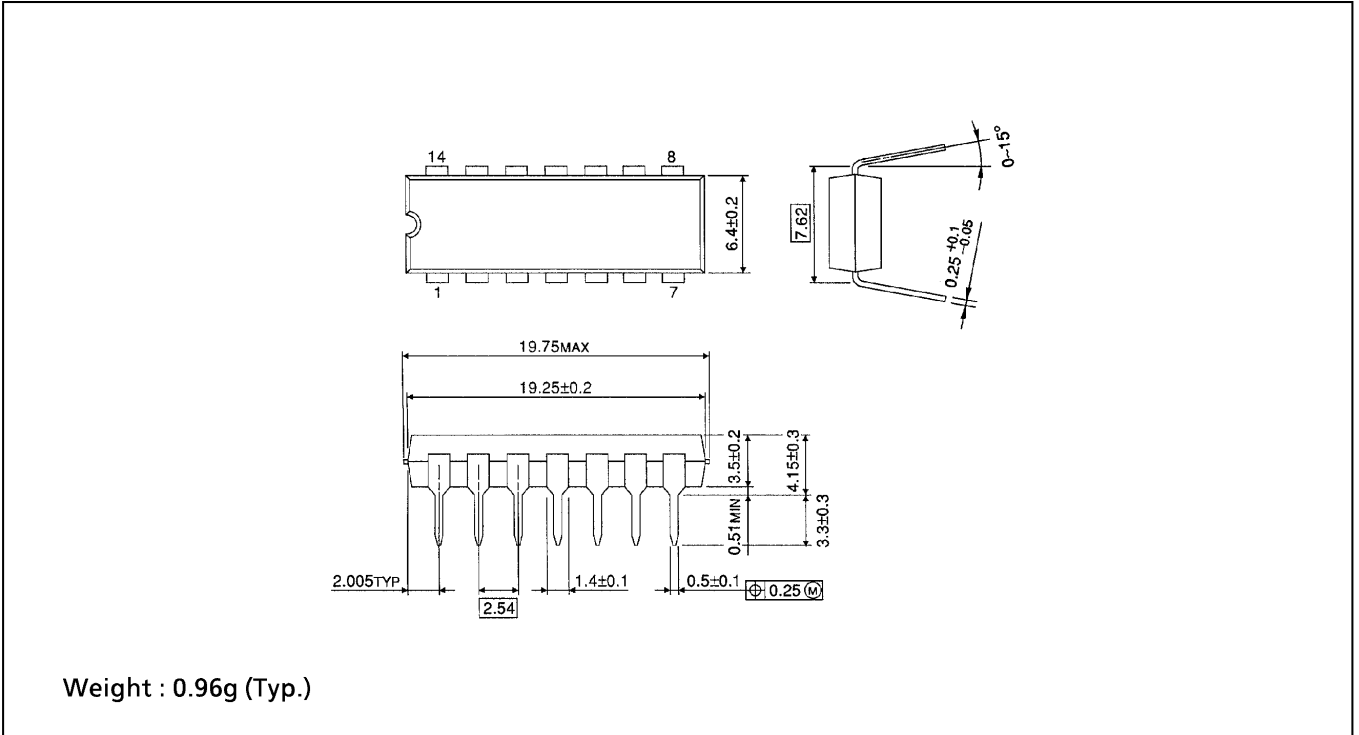
Note (1) C<sub>PD</sub> is defined as the value of the internal equivalent capacitance which is calculated from the operating current consumption without load.

Average operating current can be obtained by the equation :

$$I_{CC(opr.)} = C_{PD} \cdot V_{CC} \cdot f_{IN} + I_{CC} / 4 \text{ (per Gate)}$$

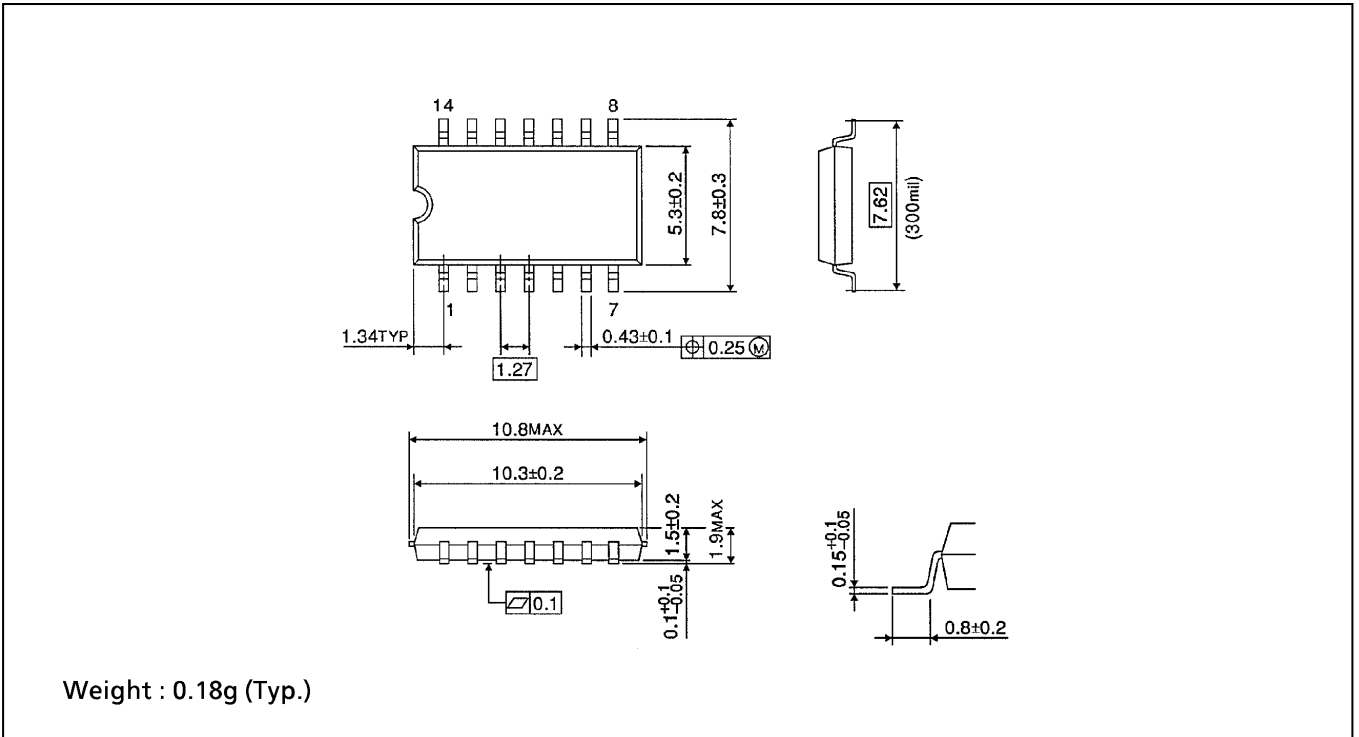
**DIP 14PIN OUTLINE DRAWING (DIP14-P-300-2.54)**

Unit in mm



**SOP 14PIN (200mil BODY) OUTLINE DRAWING (SOP14-P-300-1.27)**

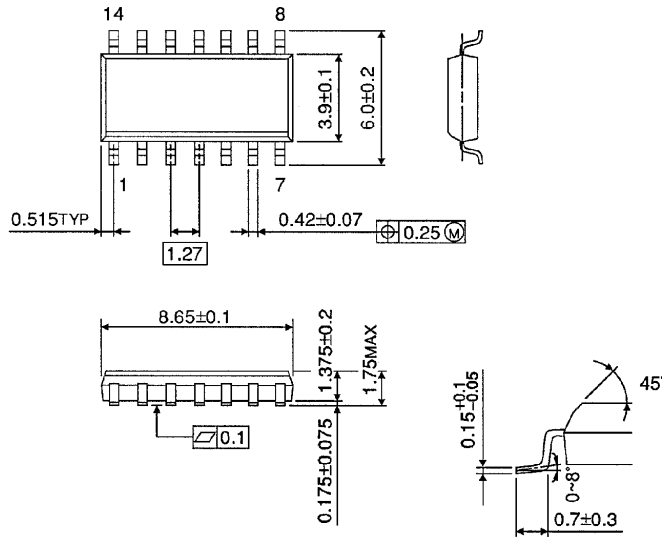
Unit in mm



**SOP 14PIN (150mil BODY) OUTLINE DRAWING (SOL14-P-150 -1.27)**

Unit in mm

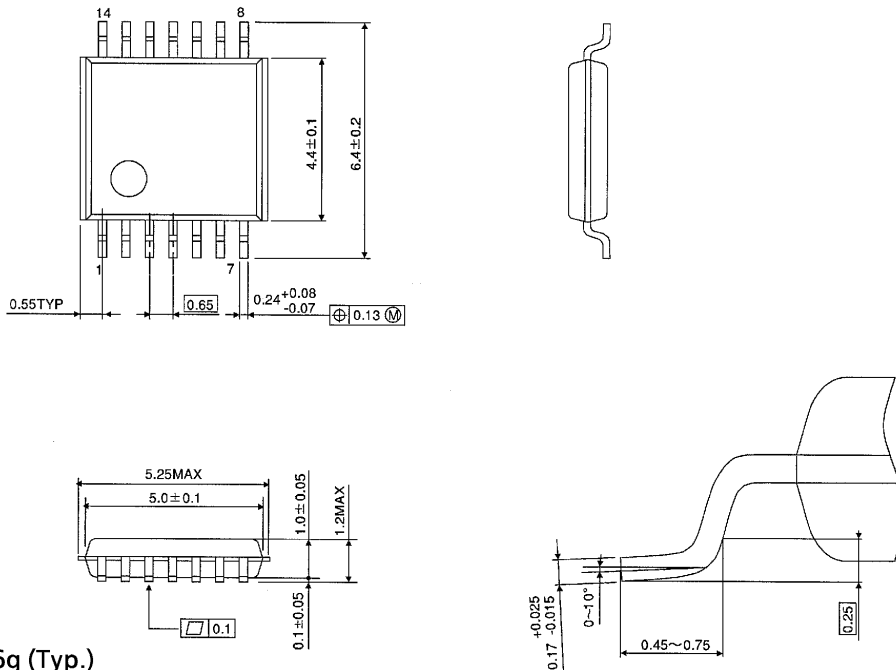
(Note) This package is not available in Japan.



Weight : 0.12g (Typ.)

**TSSOP 14PIN (170mil BODY) OUTLINE DRAWING (TSSOP14-P-0044-0.65)**

Unit in mm



Weight : 0.06g (Typ.)